



## 1550nm Pulse Laser For OTDR

### Features

- High output power  $P_f = 60 \text{ mW}$  @  $I_{FP} = 450 \text{ mA}$
- Long wavelength  $\lambda_c = 1550 \text{ nm}$
- Built-in/out monitor PD
- Pulse Conditions: Pulse width (PW) =  $10 \mu\text{s}$ , Duty = 1%



### Applications

OTDR System

### Absolute Maximum Ratings

Parameter	Symbol	Min.	Typical	Max.	Unit
Pulsed Forward Current	IFP			750	mA
Reverse Voltage	VR			2	V
Reverse Voltage (monitor PD)	VRM			10	V
Reverse Current (monitor PD)	IFPM			2	mA
Operating Case Temperature	TC	0		60	°C
Storage Temperature	Tstg	-40		85	°C
Lead Soldering Temperature	Tsld			260(10s)	°C
Relative Humidity (noncondensing)	RH			85	%

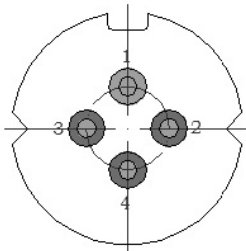
### Optical & Electrical Characteristics

Parameter	Symbol	Min.	Typ.	Max.	Unit	Notes
Forward Voltage	VFP			3.5	V	IFP = 450 mA, PW = $10 \mu\text{s}$ , Duty = 1%
Threshold Current	I <sub>th</sub>		20	35	mA	
Optical Output Power From SM Fiber	P <sub>f</sub>	60			mW	IFP = 450 mA, PW = $10 \mu\text{s}$ , Duty = 1%
Center Wavelength	$\lambda_c$	1530	1550	1570	nm	PW = $10 \mu\text{s}$ , Duty = 1%
Spectral Width	$\sigma$			4	nm	RMS (-3 dB)
Rise Time	t <sub>r</sub>		0.5	2.0	ns	10-90%
Fall Time	t <sub>f</sub>		0.5	2.0	ns	90-10%
Monitor Current	I <sub>m</sub>	0.05		2	mA	VRM = 5V



## Pin Description:

LD:



Type A:

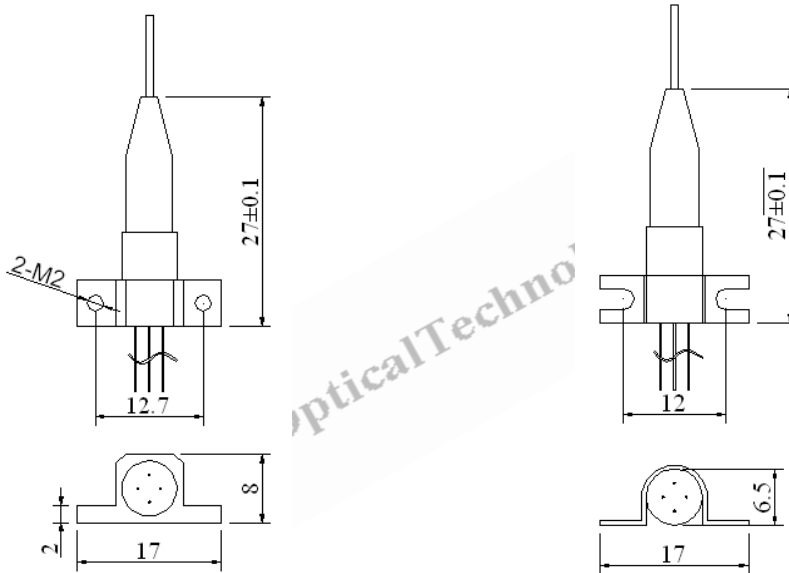
【1】 LD +

【2】 LD -

【3】 PD +

【4】 PD -

## Package Outline



## Order information

### PLD-F552-XAXX

P	LD	-F	55	2	-X	A	X	X
Mode	Product Type	Chip	Wavelength	Bandwidth	Connector	Pin	Pigtail Length	Power Range
		F: FP	55: 1550nm	2: 2.5Gb/s	1: FC/APC 2: FC/PC 3: SC/APC 4: SC/PC 5: LC/PC 6: LC/APC	A: 725	05: 0.5m 10: 1.0m	P60: >60mW

Additional requirements can be settled through friendly negotiation.

Shengshi Optical Tech. Co.,Ltd reserves the right to make changes to the product or information contained herein without notice.